



NFC-506AB FIRE ALARM BELL, TYPE A INSTALLATION GUIDE

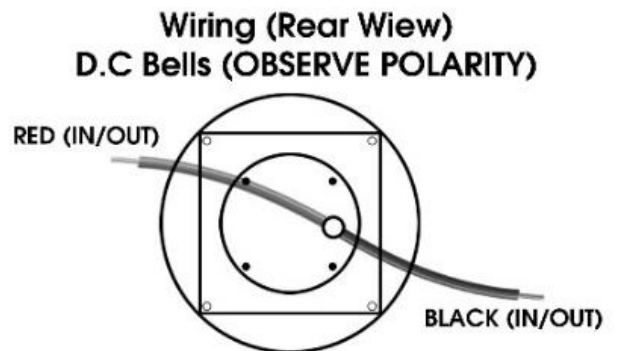
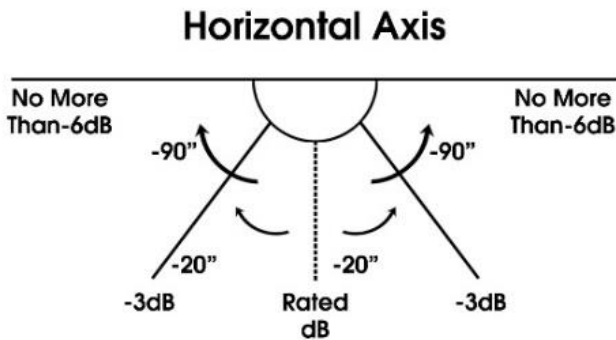
APPLICATIONS

NFC-506AB Fire Alarm Bells are low –current, audible signaling devices for use in fire alarm systems or other signaling applications all over the world.
 they can be used in schools, factories, office buildings or private residences.
 their low current consumption means additional savings on standby power.
 NFC-506AB fire alarm bell provides durable and dependable operation Required for life safety alarm systems.
 NFC-506AB is available in 6” housing and listed for indoor applications.

FUTURES	TECHNICAL SPECIFICATIONS	
<ul style="list-style-type: none"> √ Low Operating Current. √ DC Operation. √ Indoor Installation. √ Under-dome Design. √ High Output Level. √ Available in 24VDC. √ TWO wire 24VDC operation. √ Simple installation via multi-fixing base Plate for all types of location. √ Available in red metal finish. 	MODEL NUMBER	NFC-506AB
	GONG SIZE	6 Inch
	SOUND PRESSURE	≥95dB
	RATED VOLTAGE	21VDC TO 26VDC
	RATED CURRENT	50mA@24VDC
	OPERATING TEMPERATURE	-10°C TO +50°C
	WEIGHT	700g.
	BODY COLOR	RED
	PACKAGING	24UNIT\CARTON
	CARTON DIMENSIONS	55*33*38CM

NFC-506AB shall produce a peak sound output of 95dB or greater as measured in an anechoic chamber in EOS and NIS organizations. Sound level for indoor installations may vary depending on the bell spacing. The device shall be polarized to allow for electrical supervision of the wiring system.

HORIZONTAL AXIS & WIRING DIAGRAM

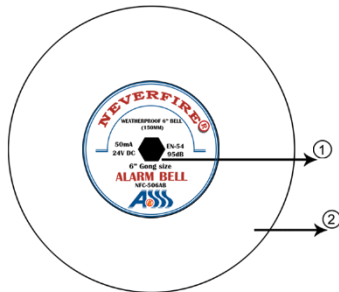


©2025 ASSS com., The company reserves the right to change the specifications of the products at any time and without prior notice.
 All information in this documents is given in good faith but ASSS com. Cannot be held Responsible for any omissions or errors.
 Printed in Egypt.

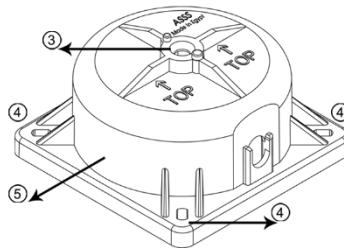


NFC-506AB FIRE ALARM BELL, TYPE A INSTALLATION GUIDE

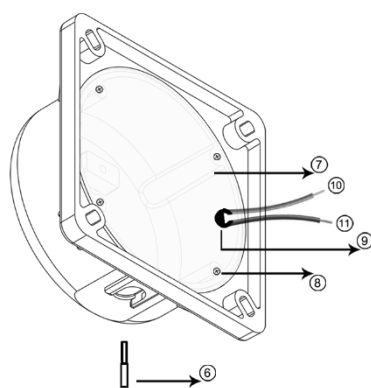
MOUNTING AND WIRING INSTRUCTIONS



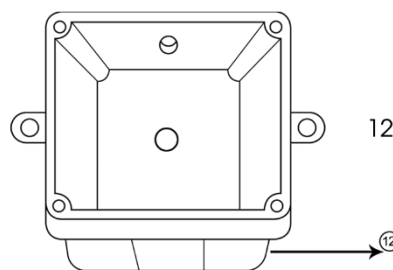
- 1. Hex Bolt
- 2. 6" Dia Gong (150mm)



- 3. Hex Nut 8"
- 4. Mounting Screw (4 Pcs)
- 5. Black ABS Base



- 6. Striker
- 7. Back Cover Plate
- 8. Back Cover Mounting Screw (4 Pcs)
- 9. Cable Gland 1.6mm
- 10. 1mm Red Cable (In/out)
- 11. 1mm Black Cable (In/out)



- 12. 4" Square Outlet Box (Supplied by others)

INSTALLATION INSTRUCTIONS

1. REMOVE THE BELL GONG BY LOOSENING HEX BOLT.
2. WIRE THE BELL IN THE CIRCUIT (Notice Polarity).
3. THE BELL MUST BE MOUNTED A MINIMUM OF 8FT ABOVE THE FLOOR, OR AS CLOSE TO THE CEILING AS POSSIBLE.
4. PLACE THE GONG TIGHTEN HEX BOLT.
5. POLARIZED BELL PROVIDES RED (+) AND BLACK (-) LEAD WIRES.

NOTES

- . MOTOR NFC-506AB FIRE ALARM BELL FOR INDOOR USE.
- . MOTOR NFC-506AB FIRE ALARM BELL ATTACHED TO WATERPROOF BOX FOR OUTDOOR USE.



CAUTIONS

1. Do not apply power to bell until installation has been completed.
2. Always disconnect all Power before servicing or clearing bell.

PRODUCT CONTENTS

- | | |
|-----------------------|-----------------------------|
| 1. ALARM BELL 6 INCH. | 2. SCREW 3.5CM, 6MM (4pcs). |
| 3. FESHAR 6MM (4pcs). | 4. INSTALLATION DIAGRAM. |